

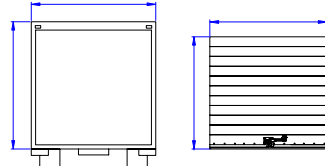
## CHECK

1

\* All parts are present as listed.



\* Door is to ordered size.



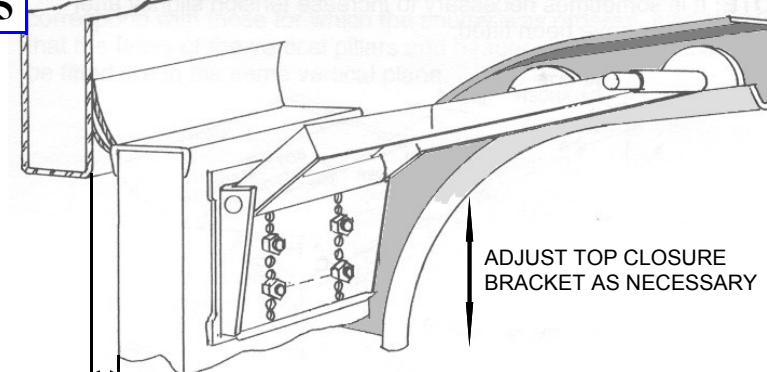
N.B. The door and related parts will fit together and into your unit in a straight forward, easy way. If the parts do not seem to fit correctly, DO NOT use force. Contact us straight away.

### HEALTH AND SAFETY AT WORK ACT 1974

Users are reminded of their obligation to ensure that all persons involved in handling, installing, disposing of this product are made aware of these notes and that sufficient information is passed to your customer to comply with the Act. In particular, note that under no circumstances should the vehicle in which the shutter is fitted be driven or be in motion at all when the shutter is in the open position.

## TOP CLOSURE

5



Insert rollers (26) into top closure arm (34 or 35) and then into tracks (4 or 5). Hinge top panel to vertical and push against header whilst fitting arm to base on top panel. Secure in place with 4 nuts (25). Repeat on other side.

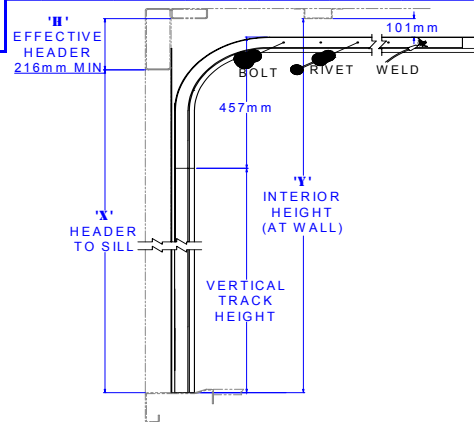
When door is closed, top panel (1) should be vertical with 8mm clearance between panel and header. Adjust top closure arm (34 & 35) bracket if necessary.

ADJUST TOP CLOSURE BRACKET AS NECESSARY

8mm CLEARANCE BETWEEN PANEL AND HEADER

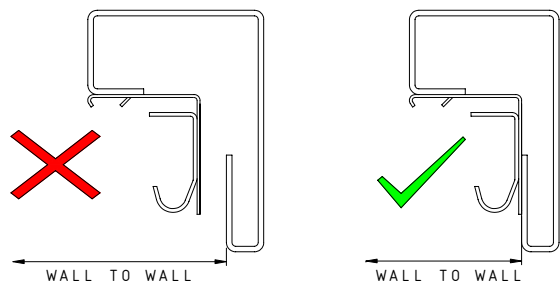
## TRACKS

2



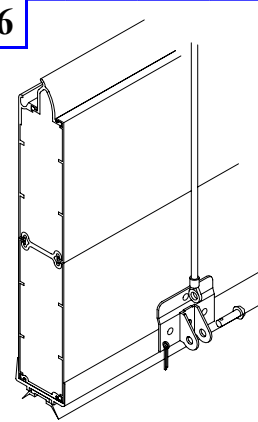
Attach vertical track (6 & 7) and mounting angle (55) to side of body inside corner post. Line horizontal track (4 & 5) up with vertical track (6) and fix in place by welding, bolts or rivets (using low profile fixings.) Ensure horizontal track (4 & 5) is parallel across length.

Ensure: Mounting angle installed to 'S' dimension as ordered, not automatically the opening edge of the post.

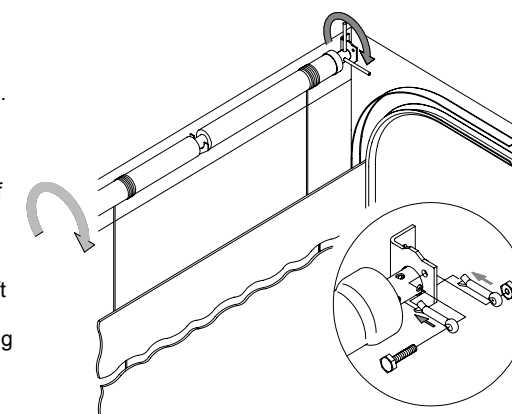


## TENSION BALANCER

6

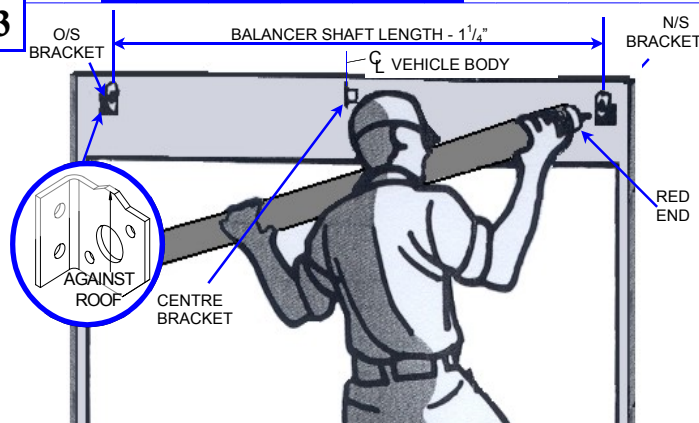


The curtain should be restrained in the horizontal tracks (4,5) approximately 400mm using mole grips between the bottom edge of the curtain and header. Remove nut & bolt (61,62) from split pins (46) in balancer bracket (52) so balancer (40) is free to rotate. Fit cable thimble (19) to cable anchor brackets (10) by removing split pins (9) & cotter pins (11) from cable anchor bracket (10). Position cable thimble (19) between cable anchor bracket (10) secure in place with cotter pins (11) & split pins (9). Insert nipple of cables (19) into key hole slots in balancer (40). Rotate balancer (40) downwards by hand until cables (19) are taut. Check cable thimbles (19) are free to pivot. Apply tension by rotating bars through right hand holes in shaft. Three to six full turns of the shaft will be necessary depending upon the weight of the curtain. Hold tension using bar, align eyes of split pins (46) with hole in mounting bracket (52) and replace nut & bolt (61,62). Remove mole grips and test operation of door and adjust as necessary.



## BALANCER

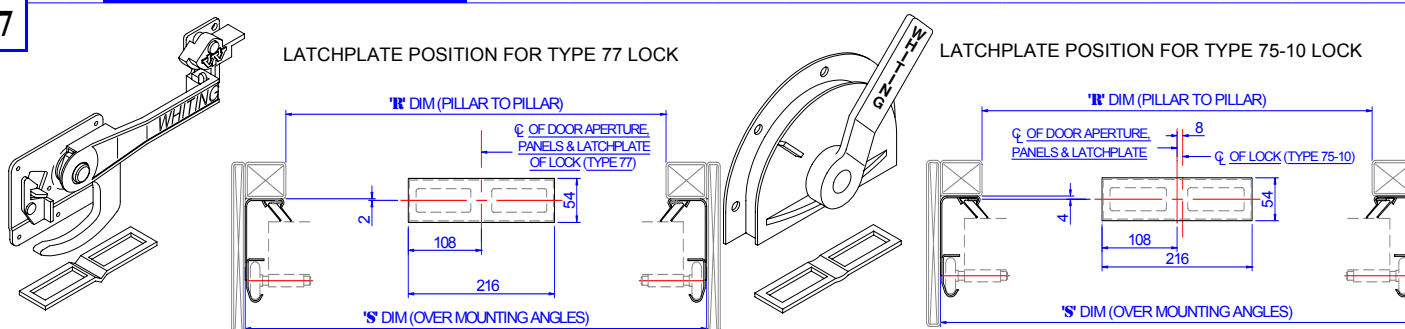
3



Find centre line of body and mark end bracket positions (see diagram.) Weld or bolt brackets (51 & 52) as close to roof as possible. Insert balancer (40) with red end on the right (viewed from inside the body.) Insert split pins (46) on either side of right hand bracket and open out to retain in position. These instructions are correct for 1776/1876 balancer as pictured. For other balancers please contact us.

## LATCH PLATE

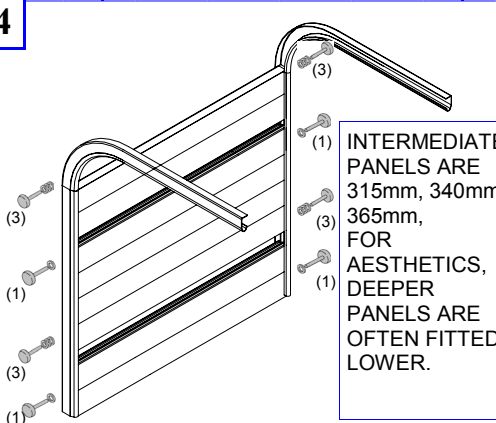
7



Align latchplate (21) as shown by appropriate diagram. Use latchplate as template to mark area to be cut out. When fitted, the upper face of the latchplate **MUST** be flush with and parallel to the surface the door closes against. The latchplate can be welded or bolted in place. As an additional check, reference can be made to the gauge marks on the front of the lock (18).

## CURTAIN

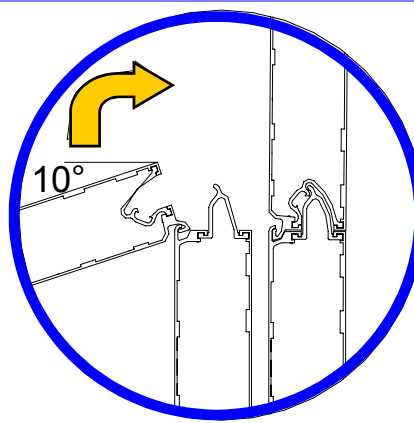
4



INTERMEDIATE PANELS ARE 315mm, 340mm, 365mm, FOR AESTHETICS, DEEPER PANELS ARE OFTEN FITTED LOWER.

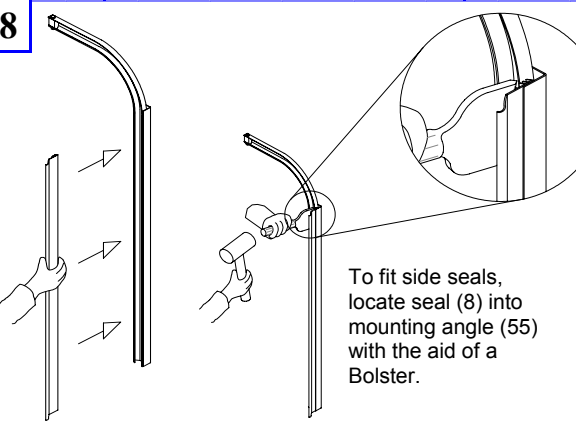
Place bottom Panel (3), with lock out wards, inside mounting angle (55). Locate steel rollers (26) & nylon bushes (59), with correct number of washers (32) (shown in brackets left) in track and attach to door with roller clamps (29), nuts (25). Clip remaining panels together (shown right), including the top panel (1), which should rest against adjoining panel while top closure arms are fitted.

Ensure all roller clamp nuts are tightened to torque of 11.3Nm (100lb in).



## TO FINISH

8



Push rubber stop (37) into end of horizontal track (4,5) line up hole, insert bolt (38), and tighten nut (39).

To fit side seals, locate seal (8) into mounting angle (55) with the aid of a Bolster.

Check door operation, re-adjusting balancer if necessary.

Check cables wind onto outside of balancer drum proper.

Check lock locates correctly with latch plate.



**STAND CLEAR OF  
OPENING WHEN DOOR IS  
MOVING**

**Leave the copy of  
maintenance/fitting  
instructions provided in the  
cab of the vehicle together  
with the remainder of the  
vehicle documentation or in  
the case of a semi-trailer  
together with any  
documentation relating to the  
trailer.**



**DO NOT USE PULL  
STRAP TO LEAVE  
VEHICLE**

**ALWAYS CLOSE AND LOCK THE DOOR BEFORE DRIVING VEHICLE**  
**DO NOT MOVE VEHICLE WITH DOOR IN THE UNDER ROOF POSITION.**

### **IMPORTANT MAINTENANCE INFORMATION**

#### **The following should be read and included in the Maintenance Schedule**

This door is constructed of high quality components intended to provide years of continued service. When in operation it is a large moving object, therefore, to ensure safe, reliable and continued operation, the following cautionary directions and periodic maintenance instructions must be observed.

1. While door is moving do not stand within opening or walk through doorway.
2. Operate door only when correctly adjusted and free from obstructions.
3. High-pressure cleaners or solvents can damage the door.
4. If door becomes difficult to operate or completely inoperative, it must be repaired immediately by an approved agent. Particular care should be given to the counter balance and cables. Repair and adjustment can be **hazardous** and should only be performed by an **approved agent**
5. **Daily:** - A general visual inspection of the shutter should be carried out with specific attention to the cable along the full length.
6. Replace any frayed or otherwise damaged cables.
7. Ensure regular checks and maintenance on items shown below (**Every 6-8 weeks**)
  - All nuts, bolts, screws and rivets to be checked for tightness.
  - Check all rollers operate smoothly, replace worn or damaged rollers.
  - Replace frayed or worn Pull Straps. **DO NOT** attach anything to the Pull Strap.
  - Where the lock mechanism is fitted or controlled by a **keyed cylinder** lubricate the cylinder **ONLY** with manufacturers recommended lubricant.
  - Other parts of the lock mechanism can be lubricated with light oil.
  - Tracks must be clear of grease and dirt.
  - Check roller shutter operation, lubricate roller shafts, bearings, hinges, tracks and spring with light oil (**not grease**) the use of aerosol sprays is not recommended as this may wash away the lubricant packed in the roller bearings.
  - Check door panels (inside and out) for gouges or paint chips, and repaint as needed.
  - If you repaint, check and if necessary re-adjust tension on lifting mechanism to restore ease of operation.

Use only genuine JR Mobile spare parts; the use of any other manufactured parts or not following the above will invalidate the warranty. In the unlikely event of an operational or warranty concern please contact

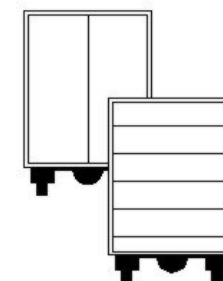
**Customer Services 029 20546135**  
**Mobile 07974 390511**

JR Mobile has a network of Agents for you're nearest Agent please contact  
J R Industries Ltd  
Tel +44 (0) 2920 549966  
Or visit [www.jrindustries.co.uk](http://www.jrindustries.co.uk)

# JR

# Mobile

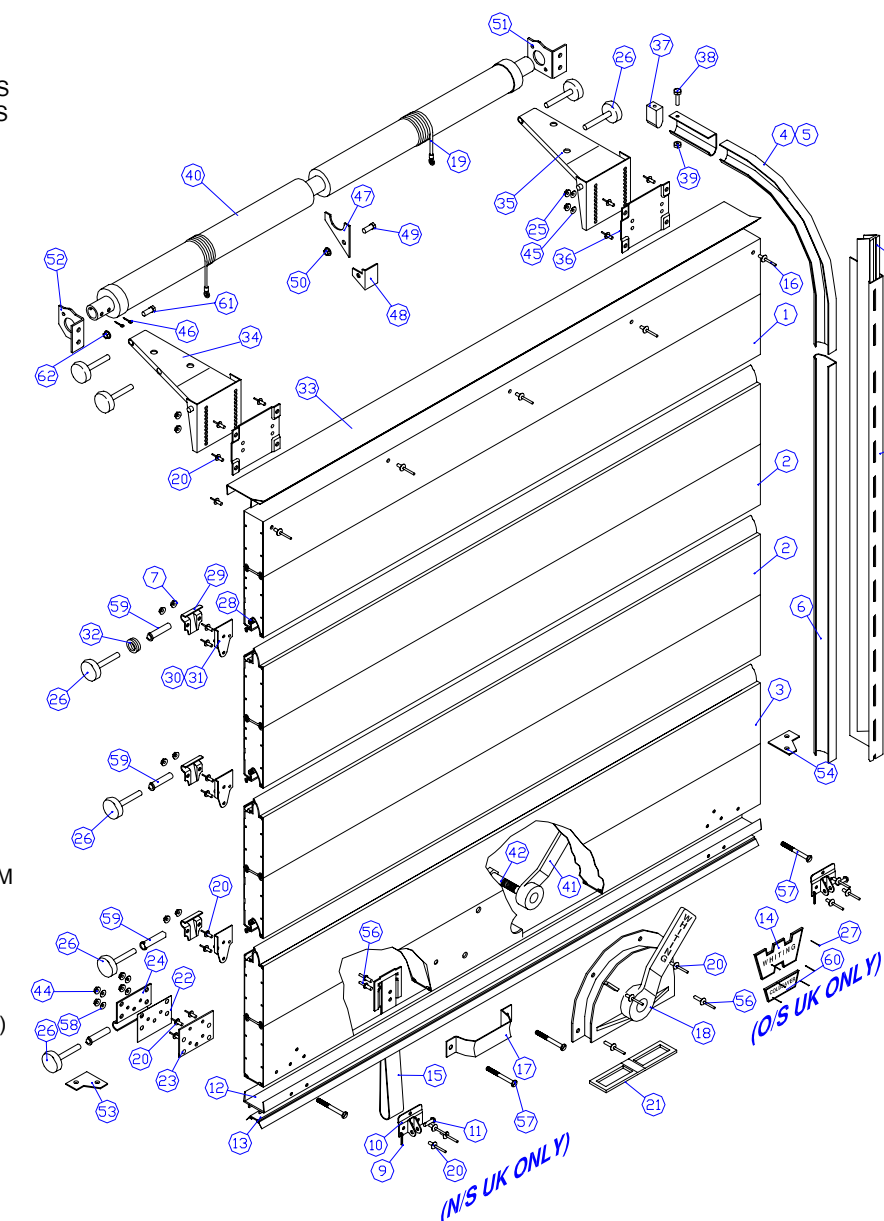
# Whiting



## COLDSAVER FITTING INSTRUCTIONS

### **PARTS LIST**

1. TOP, INTERMEDIATE & BOTTOM PANELS VARY ACCORDING TO DOOR NUMBER
2. 318mm, 343mm, or 363mm
3. HORIZONTAL TRACK 254(10") RADIUS-O/S
4. HORIZONTAL TRACK 254(10") RADIUS-N/S
5. VERTICAL TRACK
6. M6 NYLOC
7. SIDE SEAL
8. COTTER PIN 3 X 19
9. CABLE ANCHOR
10. CLEVIS PIN
11. BOTTOM PANEL CAPPING
12. BOTTOM SEAL DUAL DUROMETER
13. NAME PLATE
14. 19" PULL STRAP & E COATED BUCKLE
15. RIVET 6.4mm X 13mm
16. GRAB HANDLE
17. LOCK ASSEMBLY
18. CABLE-3175mm (125")
19. RIVET, HEMLOCK 1/4 X 14.5mm
20. LATCH PLATE
21. WEAR PLATE BOTTOM ROLLER
22. BOTTOM ROLLER BRACKET
23. BOTTOM ROLLER CLAMP-PLATE
24. M6 PLAIN NUT
25. TRACK ROLLER
26. 1/8 X 10mm POP RIVET
27. SEAL-INTER SECTION
28. ROLLER CLAMP
29. ANTI LOZENGE O/S
30. ANTI LOZENGE N/S
31. SPACER WASHER-ROLLER SHAFT
32. TOP CAPPING SEAL
33. TOP PANEL CLOSURE BRACKET N/S
34. TOP PANEL CLOSURE BRACKET O/S
35. MOUNTING BRACKET-TOP CLOSURE ARM
36. TRACK STOP BUMPER
37. M6 BOLT
38. KEPS LOCK NUT M6
39. CLOSED BALANCER ASSEMBLY
40. HANDLE-INSIDE RELEASE
41. BOLT FOR ITEM-16mm X 152mm (5/8" X 6")
42. SELF TAPPING SCREW No. 8 X 3/4"
43. M8 NYLOC NUT
44. SHAKEPROOF WASHER M6
45. 8 X 44 SPLIT COTTER PIN
46. 'YOKE' CENTRE BRACKET
47. CENTRE BRACKET
48. BOLT 3/8" X 3/4"
49. 3/8" WHIT NUTS
50. O/S SIDE MOUNTING BRACKET
51. N/S SIDE MOUNTING BRACKET
52. 'B' PLAN CORNER PLATE N/S
53. 'B' PLAN CORNER PLATE O/S
54. MOUNTING ANGLE
55. RIVET,HEMLOCK 1/4" X 21mm
56. M8 X 75mm SLOTTED PAN HEAD SCREW
57. M8 FLAT WASHER
58. ROLLER SLEEVE
59. COLDSAVER NAME PLATE
60. M8 x 30mm HEX BOLT BZP
61. M8 WIZZ NUT
- 62.



**J.R INDUSTRIES LTD.**  
**CAXTON PLACE, PENTWYN**  
**CARDIFF**  
**CF23 8XN**  
**TEL: (029) 2054 9966**  
**FAX: (029) 2054 9046**  
**WWW.jrindustries.co.uk**