

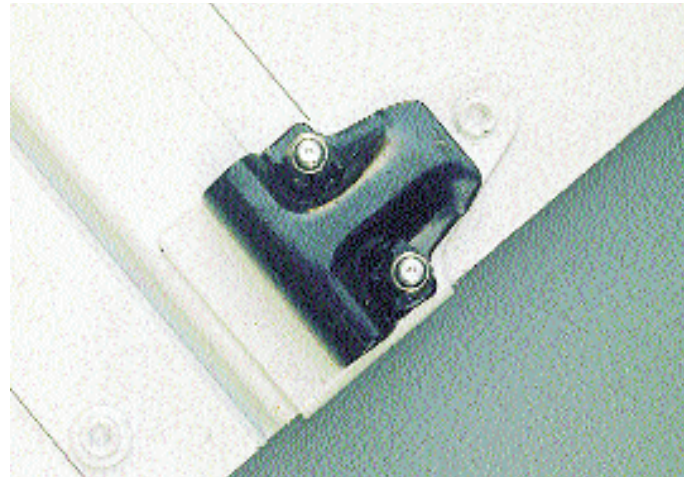
Whiting EXCEL 2000[®]

The continuous hinge dry freight shutter

The Whiting Excel dry freight shutter provides many benefits to the end user and the body builder.

- Hinge configuration has been tested beyond 90,000 cycles, equal to 10 years life in normal operation.
- Minimum of downtime and maintenance costs. No more drilling out and replacing hinge rivets. One man can easily disassemble and replace panels if necessary.
- Twin spring balancer provides added reliability and independent lifting capabilities for each individual cable.
- 47mm diameter nylon rollers guarantee long life.
- Only the finest WBP plywood is used in the construction of Whiting dry freight shutters.
- A choice of locks including high security options.
- Side, top and bottom seals.
- Adjustable top closure bracket.
- Twin stainless steel cables fitted to every shutter door (Lloyds certificated).
- Stainless steel fittings optional.
- Electric/Pneumatic operation available.
- Track fixing holes pre-punched (optional).

The Whiting Excel 2000 dry freight is specified by many of the U.K.'s leading fleet operators.



The full width clip together aluminium continuous hinge provides ease of installation/removal and prevents water ingress during operation.



Twin spring balancers. Two springs in each balancer ensure continuous operation if one spring fails.



47mm nylon rollers for extra strength and long life.

A CHOICE OF LOCKS INCLUDING HIGH SECURITY OPTIONS ARE AVAILABLE.



70 LOCK



70 C/W YALE
CYLINDER



77 LOCK COMPLETE
WITH KEEPER

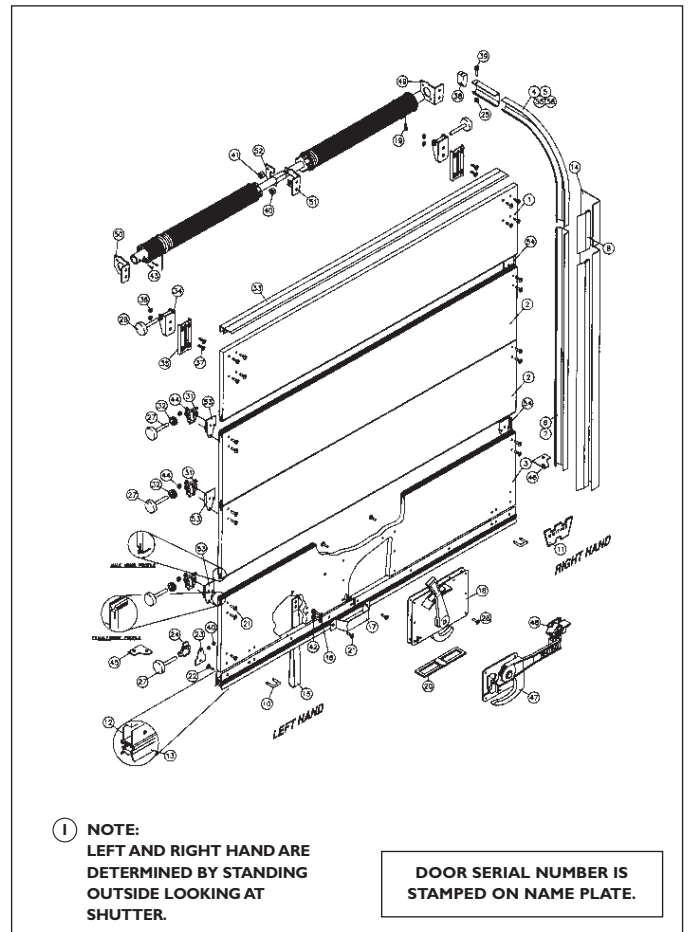


77 C/W ASSA
SECURITY CYLINDER

Innovation on the move

Whiting EXCEL 2000®

ITEM	DESCRIPTION
1	TOP, INTERMEDIATE & BOTTOM PANELS VARY
2	ACCORDING TO DOOR NUMBER
3	AVAILABLE PLAIN OR COMPLETE WITH HARDWARE.
4	HORIZONTAL TRACK 254MM (10") RADIUS-O/S
5	HORIZONTAL TRACK 254MM (10") RADIUS-N/S
6	VERTICAL TRACK-OFFSIDE
7	VERTICAL TRACK-NEARSIDE
8	SIDE SEAL
9	
10	'U' BOLT-CABLE ANCHOR
11	NAME PLATE
12	BOTTOM 'U' CHANNEL
13	BOTTOM SEAL
14	MOUNTING ANGLE 57MM X 63MM
15	PULL DOWN STRAP LENGTH 381MM (15")
16	RIVET-SEMI-TUBULAR (1/4" X 1-3/16")
17	GRAB HANDLE
18	70 TYPE LOCK ASSEMBLY
19	CABLE-3175MM (125")
20	LATCH PLATE
21	RIVET-SEMI-TUBULAR (1/4" X 1")
22	RIVET-SEMI-TUBULAR (1/4" X 1-1/8")
23	BOTTOM ROLLER BRACKET
24	BOTTOM ROLLER SHAFT COVER
25	1/4" KEP NUT
26	TRACK ROLLER (STEEL)
27	TRACK ROLLER (NYLON)
28	RIVET-SEMI-TUBULAR (1/4" X 1-13/32")
29	
30	
31	ROLLER CLAMP
32	SPACE WASHER-ROLLER SHAFT
33	TOP SEAL
34	TOP CLOSURE SLIDE
35	TOP CLOSURE BASE
36	TOP CLOSURE NUT
37	TOP CLOSURE BOLT
38	TRACK STOP BUMPER
39	BOLT 1/4" X 2-1/2"
40	WHIZ NUT 5/16"
41	BALANCER ASSEMBLY
42	PENNY WASHER
43	5 X 38 SPLIT PIN
44	M6 LOCKNUTS
45	'B' PLAN CORNER PLATE NEARSIDE
46	'B' PLAN CORNER PLATE OFFSIDE
47	77 TYPE LOCK ASSEMBLY
48	LOCK HANDLE KEEPER
49	BALANCER MOUNTING BRACKET O/S
50	BALANCER MOUNTING BRACKET N/S
51	BALANCER MOUNTING BRACKET CENTRE
52	BALANCER MOUNTING BRACKET TORQUE
53	FOLDED ANTI LOZENGE BRACKET (R/H)
54	FOLDED ANTI LOZENGE BRACKET (L/H)
55	HORIZONTAL TRACK 203MM (8") RADIUS-O/S
56	HORIZONTAL TRACK 203MM (8") RADIUS-N/S



The Whiting Excel 2000 in common with all other products produced by J R Industries carries ISO 9002 quality accreditation gained in December 1988.

J R INDUSTRIES LTD

Caxton Place, Pentwyn, Cardiff, CF23 8XN, United Kingdom.

Tel: +44 (0) 29 2054 9966 Fax: +44 (0) 29 2054 9046

All products produced by J R Industries carry ISO 9002 quality accreditation gained in December 1988.