

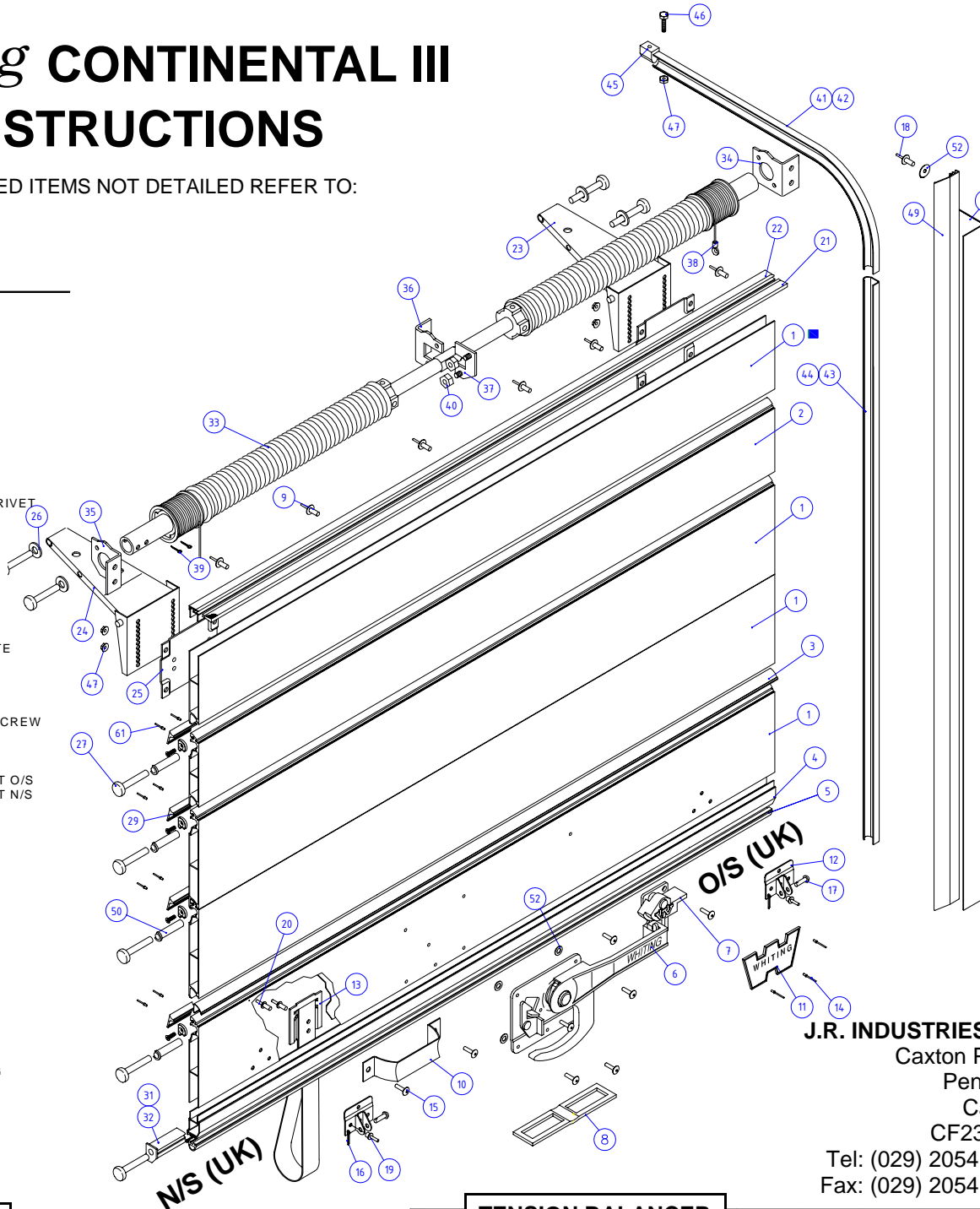
Whiting CONTINENTAL III FITTING INSTRUCTIONS

IF IN DOUBT OR DELIVERED ITEMS NOT DETAILED REFER TO:

www.jrindustries.co.uk

OR CONTACT US DIRECT.

REF	DESCRIPTION
1	278mm EXTRUDED PANEL
2	139mm EXTRUDED PANEL
3	PANEL INTERSEAL
4	BOTTOM SEAL EXTRUSION
5	D' TYPE BOTTOM SEAL
6	77 TYPE LOCK ASSEMBLY
7	LOCK HANDLE KEEPER
8	LATCH PLATE
9	4.8 x 11mm DOME HEAD RIVET
10	GRAB HANDLE
11	NAME PLATE
12	CABLE ANCHOR
13	19" PULL STRAP & BUCKLE
14	3.2 x 10mm DOME HEAD RIVET
15	1 1/4" x 1 13/32" SEMI TUBULAR RIVET
16	1/8" x 3/4" COTTER PIN
17	5/16" x 1" CLEVIS PIN
18	6.4 x 13mm DOME HEAD RIVET
19	6.35 x 21mm HEMLOCK RIVET
20	6.35 x 15mm HEMLOCK RIVET
21	5/32" x 1 1/2" BRUSH SEAL
22	TOP SEAL CRARIER EXTRUSION
23	CLOSURE ARM (O/S)
24	CLOSURE ARM (N/S)
25	CLOSURE ARM MOUNTING PLATE
26	WASHER - SPACER
27	STEELROLLER
28	ROLLER HOLDER EXTRUSION
29	14G x 1 1/4" THREAD CUTTING SCREW
30	BOTTOM ROLLER HOLDER (N/S)
31	BOTTOM ROLLER HOLDER (O/S)
32	BALANCER ASSEMBLY
33	BALANCER MOUNTING BRACKET O/S
34	BALANCER MOUNTING BRACKET N/S
35	BALANCER CENTRE BRACKET
36	TORQUE CLAMP
37	125" CABLE
38	5 x 38mm SPLIT PIN
39	M8 WHIZ NUT
40	R 10" HORIZONTAL TRACK O/S
41	R 10" HORIZONTAL TRACK N/S
42	VERTICAL TRACK
43	TRACK BUMPER STOP
44	BOLT M6 x 63mm
45	M6 WHIZ NUT
46	57 x 63mm MOUNTING ANGLE
47	SIDE SEAL
48	ROLLER SLEEVE
49	PENNY WASHER
50	BOTTOM SEAL RETAINING PLUG
51	6.5 x 21mm HEMLOCK RIVET
52	ANTI-LOZENGE WASHER (N/S)
53	ANTI-LOZENGE WASHER (O/S)
54	4.8 x 14.6mm AVIBULB RIVET
55	TOP CORNER SEAL
56	
57	
58	
59	
60	
61	
62	

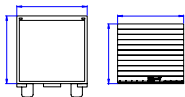


J.R. INDUSTRIES Ltd.
Caxton Place,
Pentwyn,
Cardiff.
CF23 8XN
Tel: (029) 2054 9966
Fax: (029) 2054 9046

CHECK:

CHECK:

* Door is to ordered size.



* All parts are present as listed.

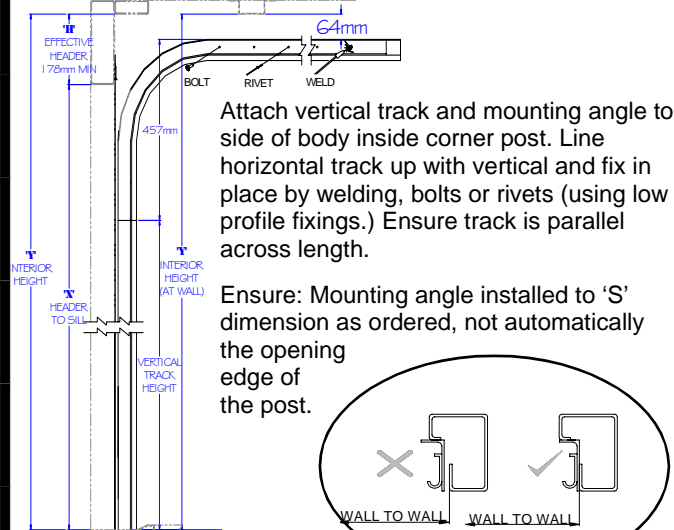


N.B. The door and related parts will fit together and into your unit in a straight forward, easy way. If the parts do not seem to fit correctly, DO NOT use force. Contact us straight away.

HEALTH AND SAFETY AT WORK ACT 1974

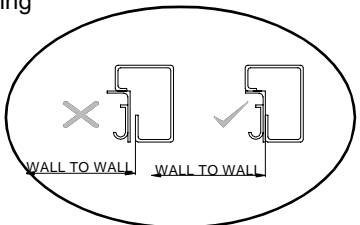
Users are reminded of their obligation to ensure that all persons involved in handling, installing, disposing of this product are made aware of these notes and that sufficient information is passed to your customer to comply with the Act. In particular, note that under no circumstances should the vehicle in which the shutter is fitted be driven or be in motion at all when the shutter is in the open position.

TRACKS



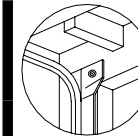
Attach vertical track and mounting angle to side of body inside corner post. Line horizontal track up with vertical and fix in place by welding, bolts or rivets (using low profile fixings.) Ensure track is parallel across length.

Ensure: Mounting angle installed to 'S' dimension as ordered, not automatically the opening edge of the post.



TO FINISH

To fit side seals, locate into the mounting angles with the aid of a bolster.



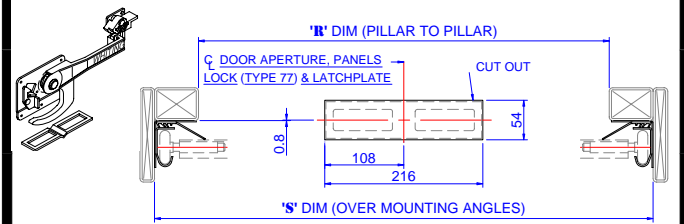
Retain by riveting to the top of the mounting angle (shown left and above).

- Check door operation, re-adjusting balancer if necessary
- Check lock locates correctly in latchplate.

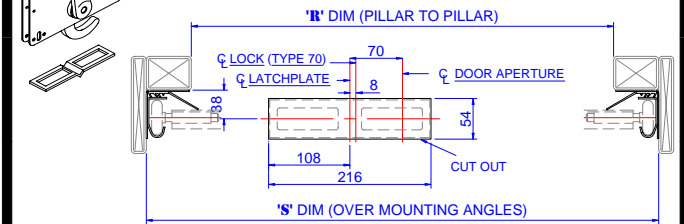
8

LATCHPLATE

LATCHPLATE POSITION FOR TYPE 77 LOCK



LATCHPLATE POSITION FOR TYPE 70 LOCK

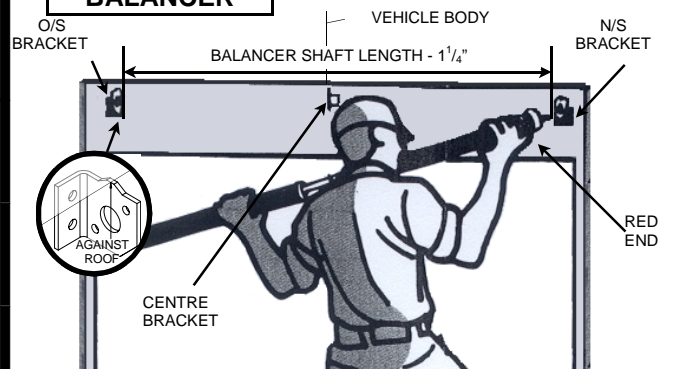


Align latchplate as shown by appropriate diagram. Use latchplate as template to mark area to be cut out. When fitted, the upper face of the latch plate MUST be flush with and parallel to the surface the door closes against. The latch plate can be welded or bolted in place.

As an additional check, reference can be made to the gauge marks on the front of the lock.

7

BALANCER

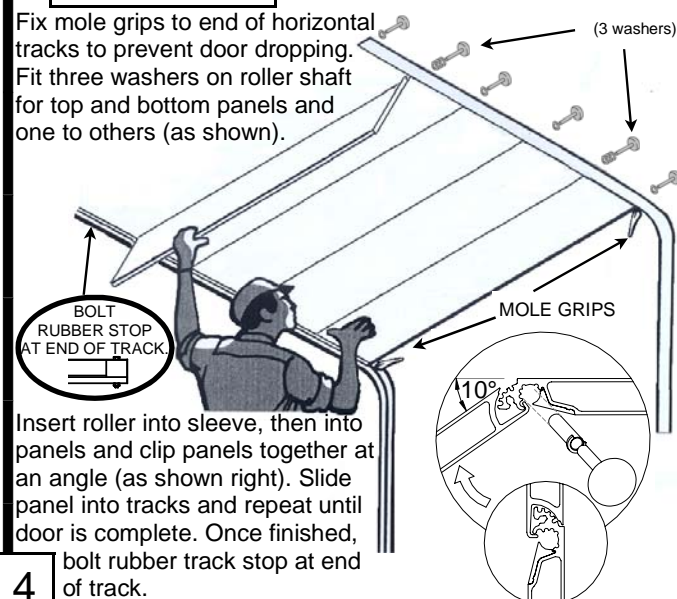


Find centre line of body and mark end bracket positions (see diagram.) Weld or bolt brackets as close to roof as possible. Insert balancer with red end on the right (viewed from inside the body.) Insert split pins on either side of right hand bracket and open out to retain in position.

NB. These instructions are correct for 2376 balancer as pictured. For other balancers please contact us.

3

CURTAIN

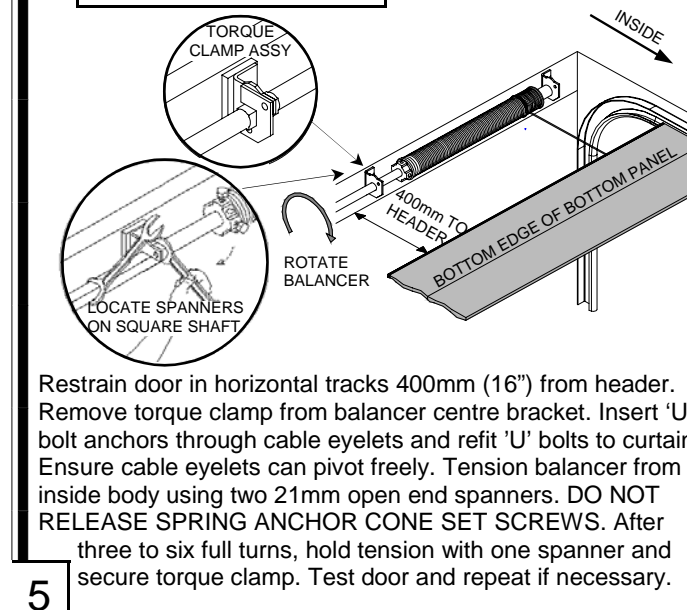


Fix mole grips to end of horizontal tracks to prevent door dropping. Fit three washers on roller shaft for top and bottom panels and one to others (as shown).

Insert roller into sleeve, then into panels and clip panels together at an angle (as shown right). Slide panel into tracks and repeat until door is complete. Once finished, bolt rubber track stop at end of track.

4

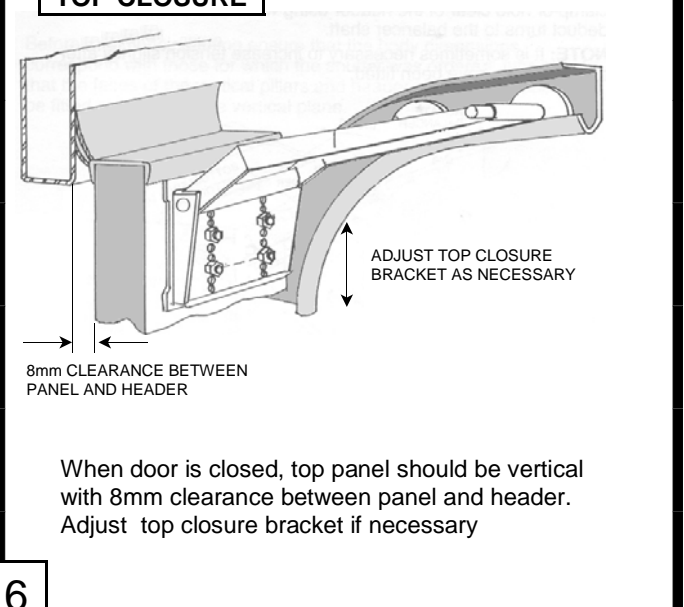
TENSION BALANCER



Restrain door in horizontal tracks 400mm (16") from header. Remove torque clamp from balancer centre bracket. Insert 'U' bolt anchors through cable eyelets and refit 'U' bolts to curtain. Ensure cable eyelets can pivot freely. Tension balancer from inside body using two 21mm open end spanners. DO NOT RELEASE SPRING ANCHOR CONE SET SCREWS. After three to six full turns, hold tension with one spanner and secure torque clamp. Test door and repeat if necessary.

5

TOP CLOSURE



8mm CLEARANCE BETWEEN PANEL AND HEADER

When door is closed, top panel should be vertical with 8mm clearance between panel and header. Adjust top closure bracket if necessary

6