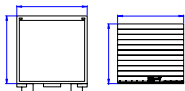
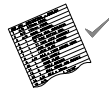


CHECK:

* Door is to ordered size.



* All parts are present as listed.



N.B. The door and related parts will fit together and into your unit in a straight forward, easy way. If the parts do not seem to fit correctly, DO NOT use force. Contact us straight away.

HEALTH AND SAFETY AT WORK ACT 1974

Users are reminded of their obligation to ensure that all persons involved in handling, installing, disposing of this product are made aware of these notes and that sufficient information is passed to your customer to comply with the Act. In particular, note that under no circumstances should the vehicle in which the shutter is fitted be driven or be in motion at all when the shutter is in the open position.

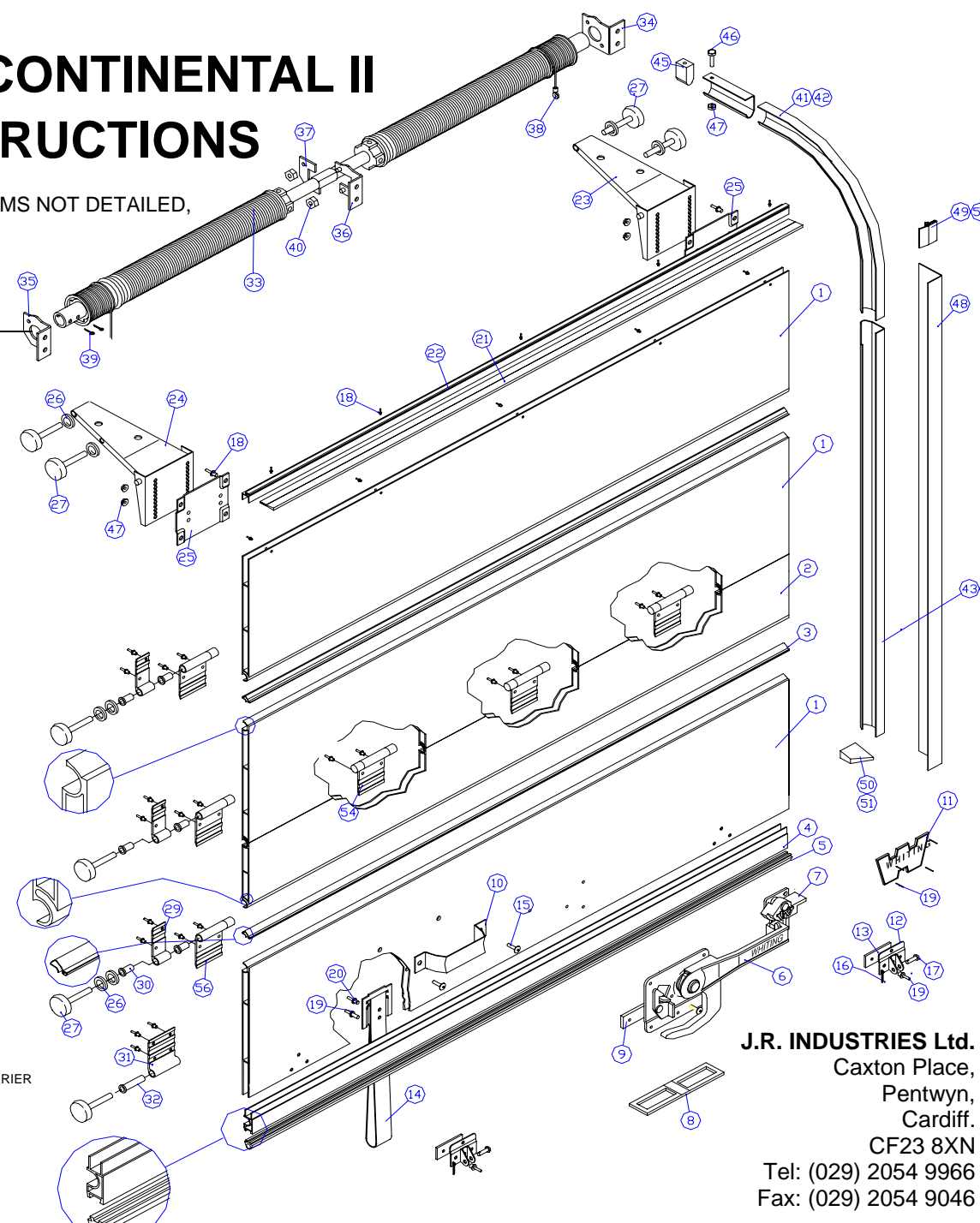
hitting CONTINENTAL II FITTING INSTRUCTIONS

IF IN DOUBT OR DELIVERED ITEMS NOT DETAILED, REFER TO:

www.jrindustries.co.uk

OR CONTACT US DIRECT.

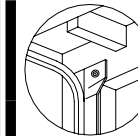
REF	DESCRIPTION
1	300mm EXTRUDED PANEL
2	150mm EXTRUDED PANEL
3	PANEL INTERSEAL
4	SEAL & ROLLER CARRIER
5	D' TYPE BOTTOM SEAL
6	77 TYPE LOCK ASSEMBLY
7	LOCK HANDLE KEEPER
8	LATCH PLATE
9	LOCK SPACER
10	GRAB HANDLE
11	NAME PLATE
12	CABLE ANCHOR
13	CABLE ANCHOR SPACER
14	19" PULL STRAP & BUCKLE
15	1 1/4" x 1 13/32" SEMI TUBULAR RIVET
16	1/8" x 3/4" COTTER PIN
17	5/16" x 1" CLEVIS PIN
18	6.4 x 13mm DOME HEAD RIVET
19	6.35 x 21mm HEMLOCK RIVET
20	6.4 x 15mm HEMLOCK RIVET
21	5/32" x 1 1/2" BRUSH SEAL
22	TOP SEAL CRARIER EXTRUSION
23	TOP CLOSURE ARM (O/S)
24	TOP CLOSURE ARM (N/S)
25	TOP CLOSURE ARM MOUNTING PLATE
26	WASHER - SPACER
27	STEEL ROLLER
28	
29	ROLLER HOLDER HINGE 34mm LG
30	NOISE REDUCTION BUSH 27mm
31	ROLLER HOLDER HINGE 70mm
32	NOISE REDUCTION BUSH 53mm LG
33	BALANCER ASSEMBLY
34	BALANCER MOUNTING BRACKET O/S
35	BALANCER MOUNTING BRACKET N/S
36	BALANCER CENTRE BRACKET
37	TORQUE CLAMP
38	125" CABLE
39	5 x 38mm SPLIT PIN
40	M8 WHIZ NUT
41	R 10" HORIZONTAL TRACK O/S
42	R 10" HORIZONTAL TRACK N/S
43	VERTICAL TRACK O/S
44	VERTICAL TRACK N/S
45	TRACK BUMPER STOP
46	BOLT M6 x 63mm BOLT
47	M6 KEP NUT
48	57 x 63mm MOUNTING ANGLE/SIDE SEAL CARRIER
49	SIDE SEAL
50	BOTTOM SEAL BLOCK O/S
51	BOTTOM SEAL BLOCK N/S
52	PENNY WASHER
53	BRUSH SEAL
54	CENTRE AXLE HINGE ASSY
55	
56	END AXLE HINGE ASSY (L/H)
57	ANTI-LOZENGE WASHER (R/H)



J.R. INDUSTRIES Ltd.
Caxton Place,
Pentwyn,
Cardiff.
CF23 8XN
Tel: (029) 2054 9966
Fax: (029) 2054 9046

TO FINISH

To fit side seals, locate into the mounting angles with the aid of a bolster.



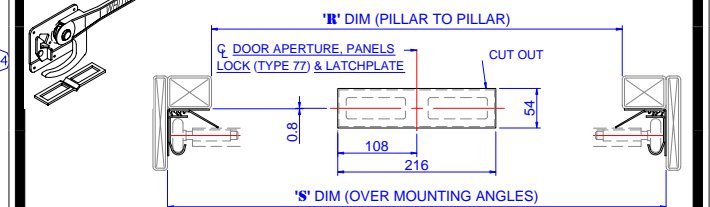
Retain by riveting to the top of the mounting angle (shown left and above).

- Check door operation, re-adjusting balancer if necessary
- Check lock locates correctly in latchplate.

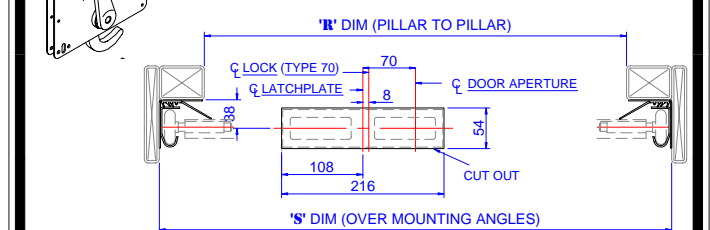
8

LATCHPLATE

LATCHPLATE POSITION FOR TYPE 77 LOCK



LATCHPLATE POSITION FOR TYPE 70 LOCK

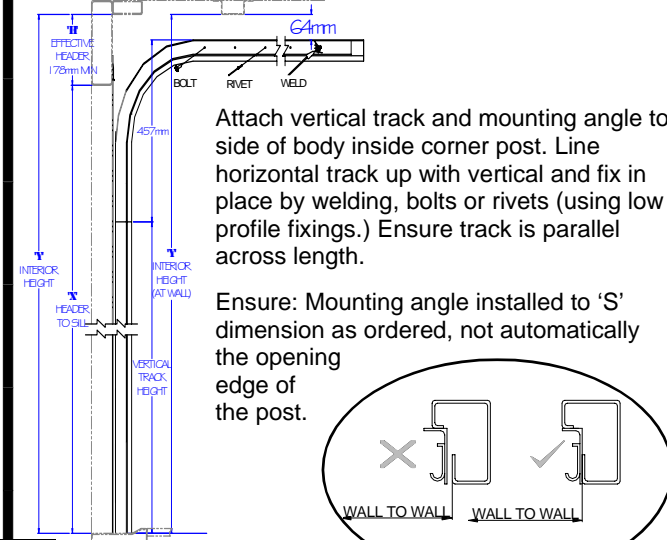


Align latchplate as shown by appropriate diagram. Use latchplate as template to mark area to be cut out. When fitted, the upper face of the latch plate MUST be flush with and parallel to the surface the door closes against. The latch plate can be welded or bolted in place.

As an additional check, reference can be made to the gauge marks on the front of the lock.

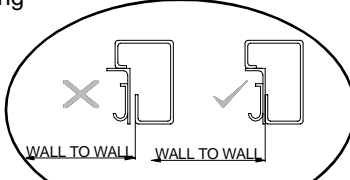
7

TRACKS



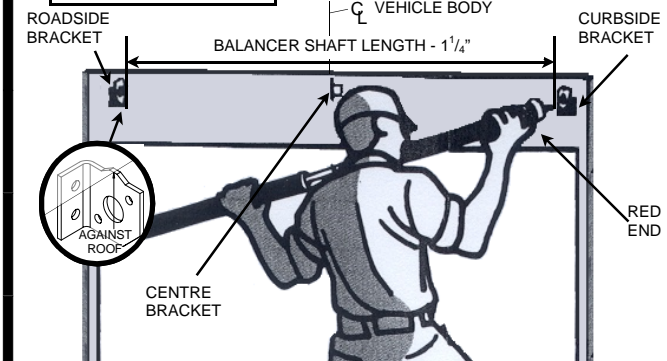
Attach vertical track and mounting angle to side of body inside corner post. Line horizontal track up with vertical and fix in place by welding, bolts or rivets (using low profile fixings.) Ensure track is parallel across length.

Ensure: Mounting angle installed to 'S' dimension as ordered, not automatically the opening edge of the post.



2

BALANCER

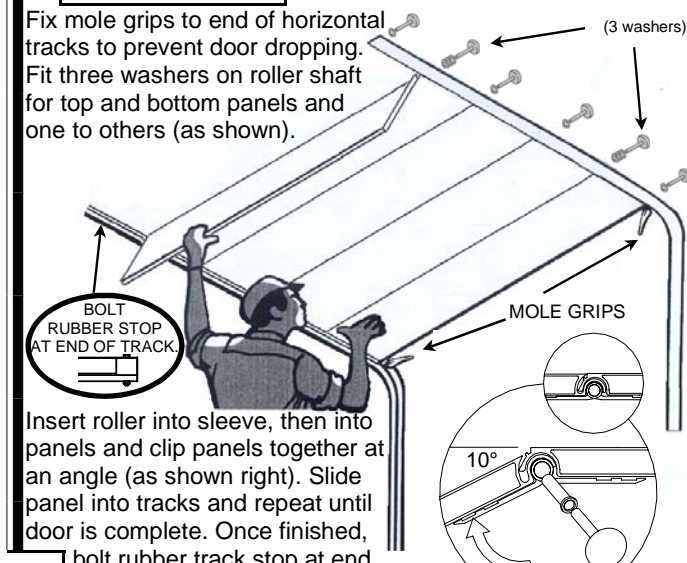


Find centre line of body and mark bracket positions (see diagram.) Weld or bolt brackets as close to roof as possible. Insert balancer with red end on the right (viewed from inside the body.) Insert split pins on either side of right hand bracket and open out to retain in position.

NB. These instructions are correct for 2376 balancer as pictured. For other balancers please contact us.

3

CURTAIN

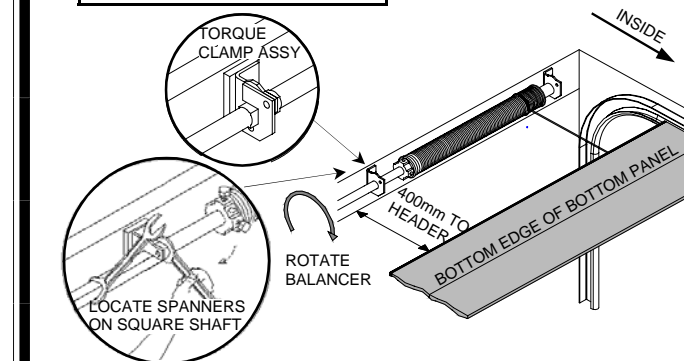


Fix mole grips to end of horizontal tracks to prevent door dropping. Fit three washers on roller shaft for top and bottom panels and one to others (as shown).

Insert roller into sleeve, then into panels and clip panels together at an angle (as shown right). Slide panel into tracks and repeat until door is complete. Once finished, bolt rubber track stop at end of track.

4

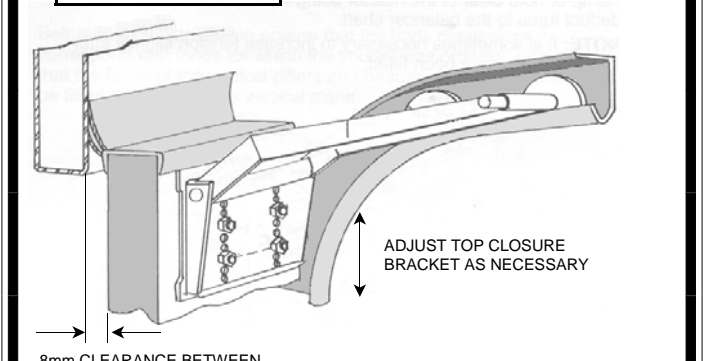
TENSION BALANCER



Restrain door in horizontal tracks 400mm (16") from header. Remove torque clamp from balancer centre bracket. Insert 'U' bolt anchors through cable eyelets and refit 'U' bolts to curtain. Ensure cable eyelets can pivot freely. Tension balancer from inside body using two 21mm open end spanners. DO NOT RELEASE SPRING ANCHOR CONE SET SCREWS. After three to six full turns, hold tension with one spanner and secure torque clamp. Test door and repeat if necessary.

5

TOP CLOSURE



When door is closed, top panel should be vertical with 8mm clearance between panel and header. Adjust top closure bracket if necessary.

6